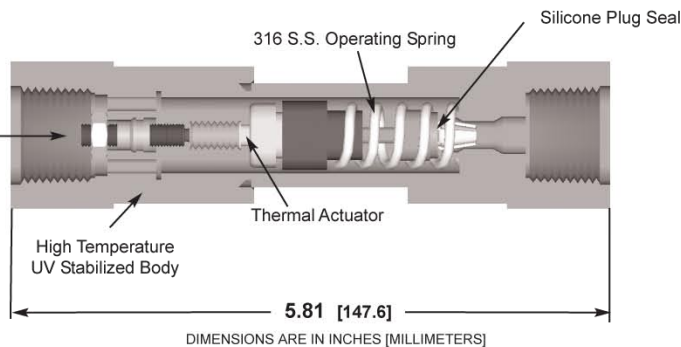


Freeze Protection Valves

FPS35



- No pressure required
- High temp UV stabilized
- Corrosion resistant
- Long life plug seal
- Brass & stainless steel internal components
- Max operating pressure 150 Psig [10.3 bar]



GREAT FOR
SOLAR POOL
APPLICATION

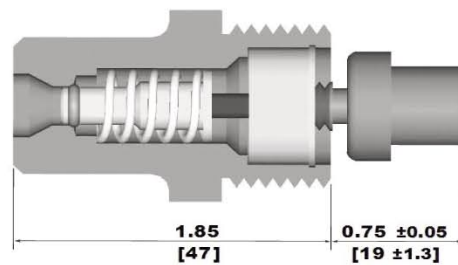
Inlet / Outlet NPT	Operating Pressure psig [bar]	Operating Temperature °F [°C]	C _v	Full Open Temperature	Weight lbs [Kg]
3/4"	Maximum 150 [10.3]	Maximum 250 [121]	0.8	35F	0.5 [0.23]

Valve Operation: FPS35 starts to open when water temperature is 39F and is fully open at 35F. As water temperature rises the valve starts to close and is fully closed at 45F.

MFB40



- No pressure required
- Brass body
- Brass & stainless steel internal components
- Long life plug seal
- Corrosion resistant
- Max operating pressure 150 Psig [10.3 bar]



GREAT FOR
SOLAR DHW
APPLICATION

Inlet / Outlet NPT	Operating Pressure psig [bar]	Operating Temperature °F [°C]	C _v	Full Open Temperature	Weight oz [g]
3/4"	Maximum 150 [10.3]	Maximum 250 [121]	0.4	40F	5.3 [150]

Valve Operation: MFB40 starts to open when water temperature is 43F and is fully open at 40F. As water temperature rises the valve starts to close and is fully closed at 50F.

*A Y-Strainer is highly recommended for use with the MFB40 in hard water areas.

*Yearly service of soaking the MFB40 in vinegar to dissolve any buildup is also recommended.



739 W. Taft Ave. Orange, CA 92865

800-515-1617

P: (714) 637-6226

F: (714) 637-1149

E: info@solartrope.com

www.solartrope.com